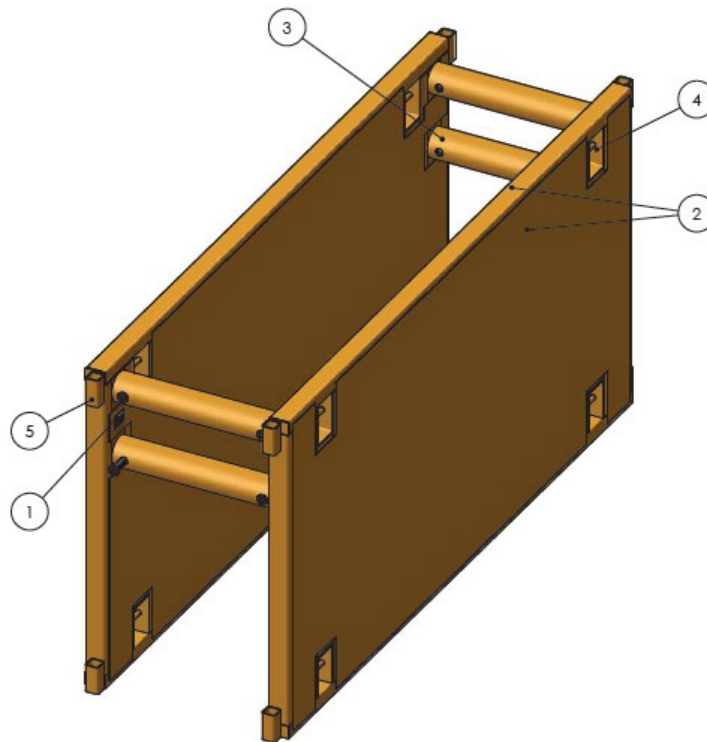


TRENCH SHIELDS

Pacific Shoring's steel trench shields are certified by a registered professional engineer and are designed to meet or exceed OSHA safety requirements. Standard shields are available in 4", 6", or 8" thick walls and custom shields can be designed up to 12" thick. All models are offered in a full range of heights and lengths and come equipped with reinforced lift eyes, universal collars, and tabulated data.

Accessories and a variety of custom upgrades are available upon request. No matter your application, our line of trench shields will meet your needs. Whether it be a single wall shield for shallow depth, or a heavy-duty shield for the deepest of excavations, Pacific Shoring has you covered.



1. XTERRA CERTIFICATION NAME PLATE
2. HIGH-TENSILE STEEL CONSTRUCTION
3. THRU-WALL HEAVY DUTY SPREADER SOCKETS

4. THRU-WALL REINFORCED LIFTING POCKETS (TOP AND BOTTOM)
5. HEAVY-DUTY STACKING TUBES (TOP AND BOTTOM ON "FB" SHIELDS)